



Installation and Operating Manual

ebios fire - Solitär





FOREWORD / QUALITY PHILOSOPHY

You have chosen a SPARTHERM ebios-fire. Thank you for your confidence in our technology.

In a world characterised by excess and mass production, the good name of our firm is inextricably linked to the credo of our owner, Gerhard Manfred Rokossa:

„High technical quality combined with modern design and on-site customer service carried out to the latter's full satisfaction, in the expectation that the customer will then recommend us to others.”

Together with our partners at specialist dealerships, we offer first-class products that stir the emotions, evoking feelings of security and comfort. However, to ensure that we achieve this, we recommend that you read the operating manual carefully to quickly familiarise yourself with your decorative fire in all its details.

In addition to information on how to use it, this manual also contains important maintenance and operating instructions for your safety and to ensure your ebios-fire retains its value, as well as useful tips..

If you have any further questions, please contact your dealer.
A beautiful fire at all times.

Your SPARTHERM Team
G.M. Rokossa

CONTENTS

1. General Information	4	5. Maintenance/troubleshooting	19
1.1 Scope of delivery	5	5.1 Furniture and glass (depending on the design) becomes sooted heavily, rapidly and unevenly	19
2. Installation Instructions	5	5.2 Fire is difficult to ignite	19
2.2 Burner mat CERAMAT FN	11	5.3 Unpleasant odour	20
2.3 General Requirements for Installation	11	5.4 Appearance of flames changes	20
2.4 Installation location	11	5.5 Spilt ethanol ignites	20
2.5 Assembly / installation	12	6. General warranty conditions	20
2.5.1 Assembly / Installation – Models Quadra and Elipse	12	6.1. Scope of application	20
2.6 Fire protection	13	6.2. General information	20
2.7 Combustion air supply	13	6.3. Warranty period	20
3. Operating instructions	13	6.4. Requirements for this warranty to be effective	21
3.1 General information on operation	13	6.5. Exclusion of warranty	21
3.2 Fire protection	15	6.6. Elimination of defects / repair	21
3.3 Fuel	15	6.7. Extension of the warranty period	21
3.4 Startup	15	6.8. Spare parts	21
3.4.1 Startup of the models Elipse, Quadra and Quadra-Elipse	16	6.9. Liability	22
3.5 Refilling the burner	18	6.10. Final comments	22
3.6 Taking out of operation safely	19	7. Declaration from the builder of a custom-made piece of furniture/fireplace with the Solitaire series	22
4. Cleaning and care	19		
4.1 Cleaning cladding parts	19		

IMPORTANT NOTE

Pursuant to the German Equipment and Product Safety Act (GPSG) and our statutory duty to draw attention to the heat generated by this product, please note the following:

Based on fuel consumption of 0.5 l/h the combustion heat generated by the bioethanol fire is approx. 3,300 W.

The calorific value of 96% ethanol is approx. 29,600 kJ/kg. With a fuel throughput of 0.5 l/h (approx. 0.4 kg/h) the heat released is approx. 3,300 W.

However, please note that a generous fresh air supply is necessary when operating the decorative fireplace, as otherwise the carbon dioxide generated will exceed the permissible concentration in the ambient air. The incoming fresh air is usually cooler than the ambient air to be heated, resulting in a loss of energy. The effective heat output from a bioethanol fire is thus very low, and so decorative fireplaces burning bioethanol are not considered to be heating systems.

Your ebios-fire is a decorative fireplace not designed for heating and not intended for continuous operation. It should nevertheless be noted that heat is produced as a by-product of combustion. That can increase the heat in the room where the fire is used. Please read through the safety information and rear ventilation information carefully.

Please note the information and warnings given in this operating manual.

1. GENERAL INFORMATION

Small children, the old or infirm: as with all open flames it is sensible to fit a protective device for these groups of people - **Burn risk!** Never allow these people near the burning or just extinguished ebios-fire unsupervised! The ebios-fire may only be operated under supervision!

All the respective national and local regulations and directives, particularly the fire safety regulations of the Federal State and the merchandising fire protection regulations where applicable, must be observed when installing and operating your ebios-fire.

All ebios-fires are tested to DIN 4734 and are state of the art.

Please ensure sufficiently stable installation and select a location where the burner cannot be shifted through impact or similar when in operation.

All models may only be operated with the enclosure cover closed.

Please note that the fuel may not be filled into a warm or burning unit. It may NOT be filled via the burner channel but ONLY via the filler opening (see III. 1). We recommend allowing the ebios-fire to burn until the tank is empty. The cover plates must be on the burner when it is not in operation.

Only allow persons who are familiar with the unit and the safety regulations and who have been instructed in its operation to fill the tank.

The ebios-fire is not a heater – it is a decorative fire.

Bio-ethanol is a hazardous material and may only be stored in quantities allowed by the regulations:

Storage in basement: max. 20 litres
Storage in living area: max. 5 litres

1.1 SCOPE OF DELIVERY

ebios-fire including the following:

- Standing or hanging fire feature
- 1 stainless steel burner
- 1 burner mat of Ceramat FN
- Safety pan for each burner, of stainless steel
- Cover sheet (with mesh for the handle), of stainless steel
- Bottle to soak the burner mat
- Tank cap with seal
- Fill level eyeglass
- Key to open and close the tank cap
- Handling rod to lift or position the cover plate
- Funnel to fill the burner
- Stick lighter
- Nameplate (on the front of the burner)
- Ethanol 3l canister with outlet valve for first operation
- Delivery pre assembled in transport friendly onw-way cardboard packaging

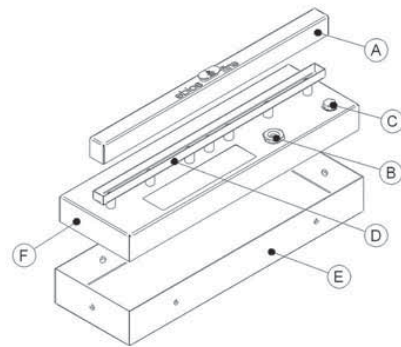


Fig.1

Item	Designation
A	Cover plate
B	Fill level eyeglass
C	Filler opening
D	Burner channel
E	Safety pan
F	Tank

2. INSTALLATION INSTRUCTIONS

The device may not tilt and must be installed horizontal. For your own safety, fix both the wall unit and the standing unit to the wall or the floor.

2.1 TECHNICAL DATA

	ebios-fire		
Fuel type:	Bio-Ethanol (Ethanol content 96%)		
Fill quantity:	max. 2,6 l		
Fuel consumption:	0,5 l/h		
Burning time:	ca. 5 h*		
Temperature in the tank:	< 65°C		
Weight of burners (empty) incl. cover plate:	5,3 kg		
Minimum volume per burner: **	84m³	167m³	418m³
Air exchange at air exchange rate: **	1	0,5	0,2
Corresponding room size at room height 2.5m **	34m²	67m²	167m²

The following are rough air exchange estimates ¹⁾:

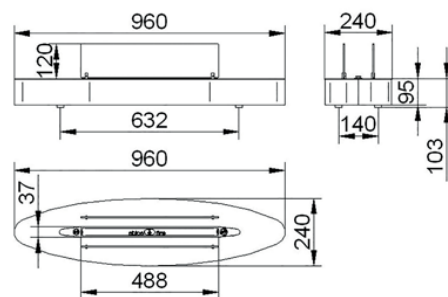
Air exchange [1/h]	Note
0...0,5	Windows and doors closed
0,3...1,5	Window tilted, no blinds
5...10	Window half open

1) Recknagel, Sprenger, Schrameck: Heizung+Klimatechnik, Oldenbourg Verlag

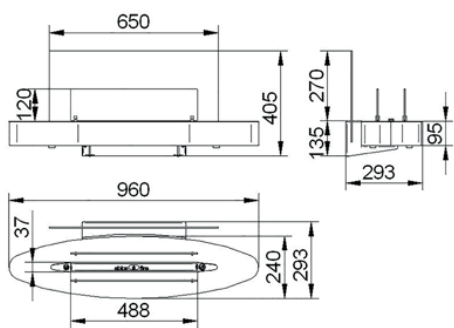
*Please note that the brightness of the flame may diminish until the flame is no longer clearly visible. Point this out to your children and other persons in the household.

**This information refers only to the ebios-fire air demand for combustion. Any further air consuming devices in the room must be considered separately.

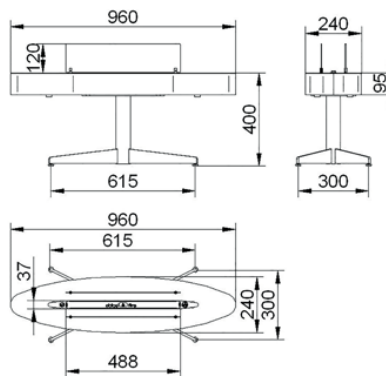
Overview of model illustrations:



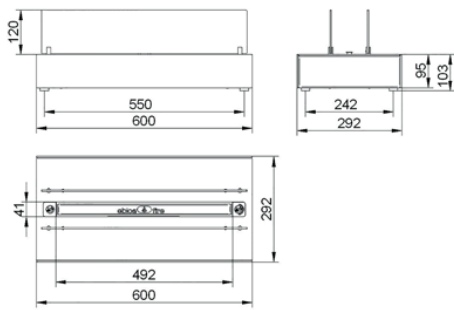
Model	Elipse
Placement	Floor
Number of burners	1
Width mm	960
Depth mm	235
Height mm	220



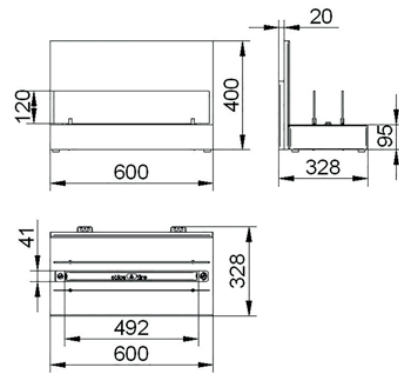
Weight kg	19,5
Model	Elipse Wall
Placement	Wall
Number of burners	1
Width mm	960
Depth mm	290
Height mm	405
Weight kg	24



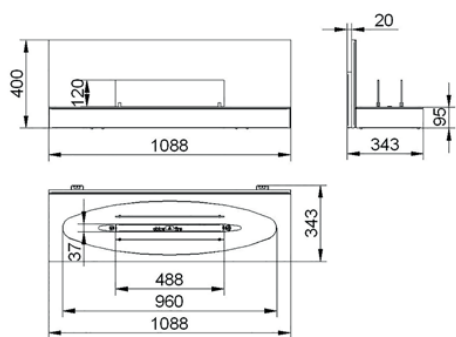
Model	Elipse with base
Placement	Floor
Number of burners	1
Width mm	960
Depth mm	235 (without base)
Height mm	520 (with base)
Weight kg	28



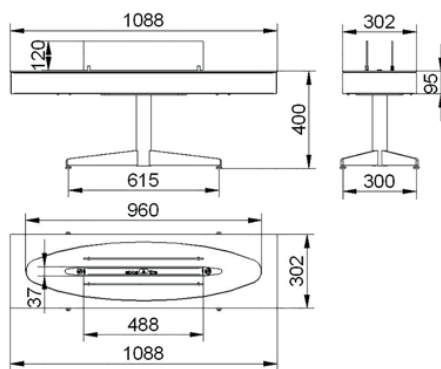
Model	Quadra
Placement	Floor
Number of burners	1
Width mm	600
Depth mm	290
Height mm	220
Weight kg	19



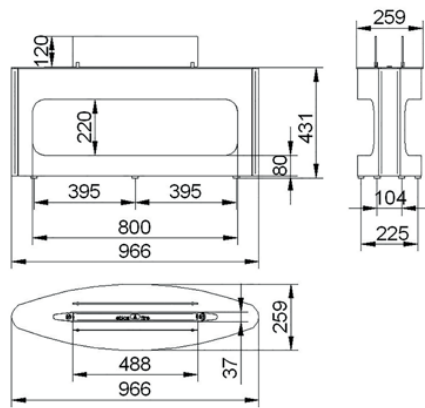
Model	Quadra
Placement	Wall
Number of burners	1
Width mm	600
Depth mm	330
Height mm	400
Weight kg	25



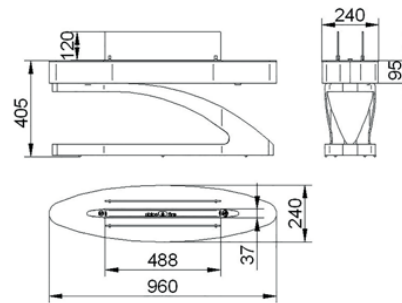
Model	Quadra-Elipse
Placement	Wall
Number of burners	1
Width mm	1090
Depth mm	340
Height mm	400
Weight kg	36



Model	Quadra-Elipse with base
Placement	Floor
Number of burners	1
Width mm	1085
Depth mm	300 (without base)
Height mm	520 (with base)
Weight kg	32



Model	Elipse-Case
Placement	Floor
Number of burners	1
Width mm	966
Depth mm	259
Height mm	431
Weight kg	41,5



Model	Elipse Z
Placement	Floor
Number of burners	1
Width mm	960
Depth mm	240
Height mm	405
Weight kg	44,5

2.2 BURNER MAT CERAMAT FN

The included CERAMAT FN (black) burner mat should only be handled with gloves to prevent possible skin irritation. The material is easily damaged and should not be folded, bent or similar.

2.3 GENERAL REQUIREMENTS FOR INSTALLATION

All relevant national and European standards and local regulations (storage and fire precautions, etc.) must be noted and observed when installing and operating the ebios-fire. The following is a list of the relevant regulations (without any claim to completeness). They refer only to operation in Germany. In other countries the regulations that apply there must be observed.

BetrSichV	Industrial Safety and Health Ordinance
Vbf	Technical Rules for Flammable Fluids
BsV	The fire protection requirements of the particular federal state
LBO	State building regulations
GefStoffV	Hazardous Substances Ordinance

The ebios-fire should only be installed in rooms and at locations where the position, structural conditions and type of use will not create any hazards. The floor area of the room where it is installed must be of such a type and size that the ebios-fire can be correctly operated in accordance with the regulations.

Only approved and sufficiently strong handling aids should be used to transport your ebios-fire. The following points must be noted to ensure safe transport without any problems:

- The ebios-fire may only be lifted with transport aids from its rear side (if required), especially if sack barrows are used.

- There must be no fuel in the fire tray during transport.

Damage in transit - Please contact your supplier without delay. Protect the cover and visible parts of your fire from dirt and damage during installation and transport.

2.4 INSTALLATION LOCATION

When choosing the installation location for your ebios-fire please ensure the unit is not directly exposed to major heat sources such as radiators, stoves, etc. and that it is not installed in a room where high temperatures occur (e.g. a sauna).

External heating of the ethanol fireplace while the appliance is not being used, may lead to the escape of the fuel from the tank. The fuel will escape from the burner channel into the overflow tray. In this case, please remove the burner before ignition and empty the overflow tray.

Your ebios-fire must not be installed:

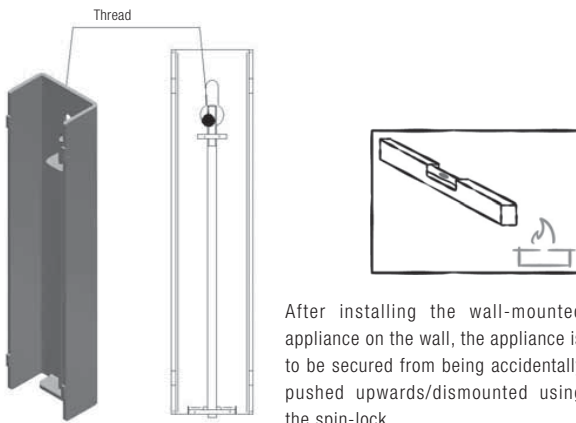
- In stairwells and landings, except in residential buildings with no more than two flats.
- In corridors accessible to the public
- In garages
- In rooms where highly flammable or explosive substances or mixtures are processed, stored or manufactured in such quantities that ignition or explosion would be hazardous.
- In poorly ventilated spaces.
- In unsupervised areas accessible to the public.
- In areas not sufficiently protected from cross-draughts.
- On top of tables, furniture, up against a wall, etc

2.5 ASSEMBLY / INSTALLATION

Whether free-standing or wall-mounted, the ebios-fire unit must be aligned horizontally and secured so that it cannot tip. The wall-mounted model should be attached to the wall and the free-standing model should be fastened to the wall or floor. Note the safety clearances (Fig. 1 radiant area). Rear vents must not be closed or obstructed. Place the burner, with its safety pan and cover plate, in the unit's designated receptacle.

The floor on which free-standing units are placed must have sufficient load-bearing capacity. If not, appropriate measures should be taken, e.g. using a board to spread the load, in order to achieve the requisite safe loading capacity.

Suitable fasteners should be used for wall-mounting (e.g. wall dowels, screws, etc.).



2.5.1 ASSEMBLY / INSTALLATION – MODELS QUADRA AND ELIPSE

Close the furniture housing cover. Please ensure correct positioning so that there is a uniform (depending on the model see Fig. 2 or Fig. 3) air gap between the housing cover and flame area so as to ensure a sufficient supply of air. Otherwise the housing cover can become covered in soot and the flames may no longer be uniform in appearance.

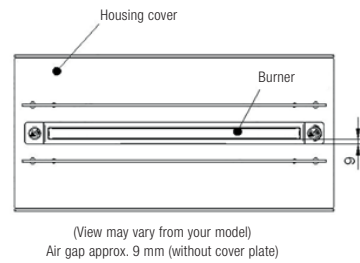


Fig. 2

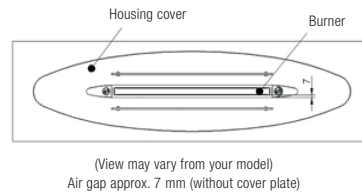


Fig. 3

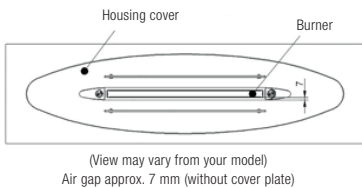


Fig. 4

2.6 FIRE PROTECTION

In order to guarantee sufficient thermal insulation, there must be a minimum distance of 300 mm (see Fig. 5) to flammable components, furniture, decorations and curtains at the side! There must be no objects between the ebios-fire furniture and room ceiling (distance to the ceiling > 1000 mm)!

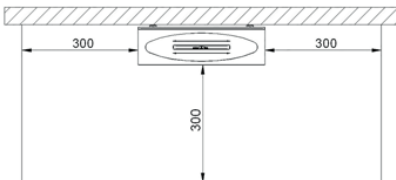


Fig. 5

2.7 COMBUSTION AIR SUPPLY

Your ebios-fire draws its combustion air from the room in which it is installed (dependent on indoor air). It must be ensured that there is a sufficient supply of fresh air to the room in which the fire is installed. It is possible that there is not a sufficient supply of fresh air if the windows and doors are sealed (e.g., in combination with energy saving measures). This can compromise your well-being and, under certain circumstances, also your safety and the combustion performance. Open a window to ensure a sufficient supply of fresh air.

3. OPERATING INSTRUCTIONS

Read these installation and operating instructions carefully before installing and starting up your ebios-fire. All items are to be removed from the ebios-fire furniture (except the burner unit).

Please follow the regulations for fire protection and dangerous goods!

3.1 GENERAL INFORMATION ON OPERATION

- Small children, elderly or infirm persons: As is the case with all open flames, it is expedient that you attach a protective fixture for these groups of persons (available as an accessory from specialist dealers) **Risk of burn injuries!** Never leave these groups of persons unattended near the ebios-fire when a fire is burning or has just been extinguished! Make these individuals aware of these risks.
- No combustible objects may be placed or laid on the free surfaces of the ebios-fire. Do not place items of clothing on the ebios-fire furniture to dry. Racks for drying clothing may only be placed outside the radiation area (Fig. 5)! **Risk of fires!**

- Thermal energy is released during the combustion process which causes the burner, the housing surfaces, the glass panes (depending on the model) and the protective glass panes to heat up. It is not permitted to touch these items without taking the necessary precautions (e.g., heat-resistant glove). **Risk of burn injuries!**



- Never leave the fire unattended whilst it is alight!
- With all models (Eclipse, Quadra and Quadra Elipse) it must be ensured that the housing covers are closed and that the protective panes are inserted.
- It is recommended to open a window during operation.
- Several decorative ethanol fireplaces may only be operated if the fuel consumption rate of all devices together does not exceed 0.5 l/h and if additional measures are taken to ensure sufficient ventilation. In this context, please refer to the table on page 6, under point 2.1. Technical data.
- The burner may only be operated with the burner mat and these wicks. It is not permitted to change the number of wicks, the wick material or the burner mat.
- The ebios-fire furniture must not be modified.
- This is merely a decorative fireplace for use in the home and is not intended for heating or continuous operation! Nevertheless, it should be taken into account that heat (approx. 3 kW) is generated as a by-product of the combustion process. Amongst other things this can cause increased heating in the room where the fireplace is installed.

- There should never be any fuel in the tank and the cover must always be placed on the burner when the latter is not in use.
- The burners are designed for the fuel to be burnt until all gone. If you only wish to enjoy the flames for a short period of time, use a correspondingly smaller amount of fuel. If you wish to take the burner out of operation prematurely, place the cover on the burner with the aid of the grip stick. After shutting down the burner, always allow at least 1 hour
- The burner must NOT be filled when warm or alight and must NOT be filled via the burner channel! **DANGER TO LIFE**



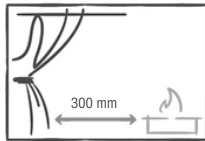
- The handling of fuel in the vicinity of the hot or burning device is associated with significant risks and is not permitted!
- Only fill the burner via the filling opening and never via the burner channel! (see Fig. 1)
- Should you accidentally spill ethanol, clean this up immediately and before lighting the burner!
- Please note that the luminosity of the flame can decrease to such an extent that the flame is no longer clearly visible. Make children and others in the home aware of this.
- Minimum waiting time between extinguishing and refilling the burner = 1 hour!
- Do not smoke when handling fuel and operating the ebios-fire.

Failure to follow these basic rules can result in uncontrolled ignition or even explosions!

3.2 FIRE PROTECTION

Please note: In the radiation area Fig. 5 (in the area of the flames/furniture) the flammable components and furniture within 1000 mm upwards and 300 mm to the sides must be fitted with ventilated radiation protection on both sides.

There must be no flammable objects (decorations, clothing etc.) in the radiation area. In order to guarantee sufficient thermal insulation, there must be a minimum distance of 300 mm to flammable components at the side, furniture, decorations and curtains! There must be no objects between the fireplace and room ceiling (distance to the ceiling >1000 mm)!



3.3 FUEL

Bioethanol (chemical formula C₂H₆O) with an ethanol content of 96% is used as the fuel, this is available from your specialist dealer. It is a dangerous substance as per ADR: Class 3 PG II, UN 1170.

Under no circumstances should other fuels such as petrol, spirit or similar flammable liquids be used. Do not mix the fuels together or with other substances. The burners may only be operated using the prescribed fuel otherwise the warranty will be rendered void and the device may be unsafe to operate

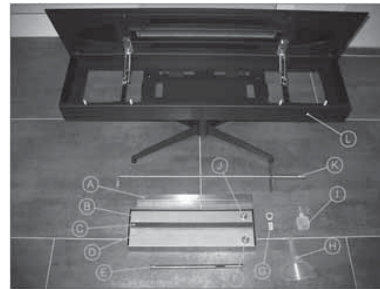
Ethanol is a highly flammable liquid which must be stored well sealed, protected from light and away from sources of fire. It is permitted to store max. 5 l in the living space and max. 20 l in the cellar. Keep bioethanol out of the reach of children. For your safety only fill the burner just before use to

prevent it from being ignited unintentionally or by unauthorised persons and to also stop the fuel from evaporating.

Please note that ethanol is used exclusively for combustion and it not suitable for consumption. Supervise your children! If swallowed consult a doctor immediately and present the fuel label.

3.4 STARTUP

The ebios-fire furniture is supplied with empty burners to prevent any ethanol from flowing out or evaporating during transit. Ensure (particularly before being put into use) that there is no fuel in the safety container.



Item	Designation	Item	Designation
A	Cover plate	G	Key (tank lock)
B	Tank	H	Funnel
C	Burner mat	I	Bottle for wetting the burner
D	Burner channel	J	Fill level indicator
E	Stick lighter	K	Grip stick
F	Filling opening	L	Housing

3.4.1 STARTUP OF THE MODELS ELIPSE, QUADRA AND QUADRA-ELIPSE

Proceed as follows:

1. Ensure that the air supply is sufficient. (see 2.7)
2. Make sure that the burner has gone out and has cooled down fully (minimum waiting time after being extinguished = 1 hour).
3. The burner remains in the housing when being refilled. For this re-move the protective panes and then open the housing cover.



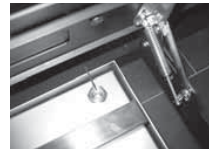
4. Check the tank content.
5. Make sure that the cover plate is placed on the burner and covers the burner mat.
6. Use a wrench to open the filling screw.



7. Insert the funnel into the filling opening and pour in a maximum of 2.6l of bioethanol.



8. The fill level indicator shows the maximum permitted fill level. The maximum fill level is reached when the bioethanol runs out of the slit (see arrow) into the reflector curve.



9. Take the bottle to wet the burner. Insert the bottle with the opening into the tank opening so that it projects into the fuel. Press the bottle together so that the air escapes and the fuel is sucked up when it is released. Wait until the bottle returns to its original shape



10. Seal the filling plug securely using the wrench.



11. Close the housing cover of the fireplace furniture, ensure that the cover does not project into the flames but remains a uniform distance from the burner channel. Then insert the protective panes.



12. Insert the grip stick to grip the cover plate and lift it off.



13. Wet the burner mat with fuel using the bottle which has just been filled.



14. Put the bottle down to one side.

15. Wait approx. 2 minutes before igniting the fire to allow the wick to be fully saturated with ethanol.

16. Ignite the fire on the burner mat and step back from the flames. It may take a few minutes until uniform flames appear.



Should you ever pour in too much fuel and cause the burner to overflow, the ethanol collects in the safety container. Empty this immediately and before lighting the burner. Clean the surface of the burner until it is dry and completely free of ethanol.

3.5 REFILLING THE BURNER

The burner must NOT be filled when warm or alight and must NOT be filled via the burner channel! **DANGER TO LIFE!**



Minimum waiting time between extinguishing and refilling the burner = 1 hour

Please also leave the protective panes which may still be hot on the device during this time! **Risk of burn injuries!**

The burners are designed for the fuel to be burnt until all gone. If you only wish to enjoy the flames for a short period of time, use a correspondingly smaller amount of fuel. If you wish to take the burner out of operation prematurely, place the cover on the burner with the aid of the grip stick

Proceed as follows to refill:

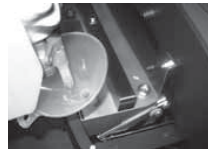
1. Ensure that the air supply is sufficient. (see 2.7)
2. Make sure that the burner has gone out and has cooled down fully (minimum waiting time after being extinguished = 1 hour).
3. The burner remains in the housing when being refilled. For this re-move the protective panes and then open the housing cover.



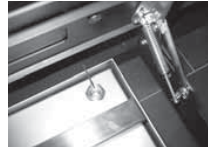
4. Check the tank content.
5. Make sure that the cover plate is placed on the burner and covers the burner mat.
6. Use a wrench to open the filling screw



7. Insert the funnel into the filling opening and pour in a maximum of 2.6l of bioethanol.



8. The fill level indicator shows the maximum permitted fill level. The maximum fill level is reached when the bioethanol runs out of the slit (see arrow) into the reflector curve



Should you ever pour in too much fuel and cause the burner to overflow, the ethanol collects in the safety container. Empty this immediately and before lighting the burner. Clean the surface of the burner until it is dry and completely free of ethanol. To ignite the burner, follow the steps 9-16 described in Point 3.4.1!

3.6 TAKING OUT OF OPERATION SAFELY

If you wish to take the burner out of operation prematurely, place the cover on the burner with the aid of the grip stick.

Insert the grip stick to grip the cover plate and then cover this over the burner channel

4. CLEANING AND CARE

The ebios-fire furniture may only be cleaned when cold.

4.1 CLEANING CLADDING PARTS

- Wait until the device has cooled down before cleaning (at least 1 hour)!
- **Decorative metal surfaces** and the cladding parts can be cleaned with a moist cloth (do not use a microfibre cloth!).
- **Glass surfaces** can be cleaned with a standard glass cleaner and a soft cloth (do not use a microfibre cloth!).
- **Stainless steel surfaces** can be cleaned with a standard stainless steel cleaning agent. Only use in the direction of the finish!

Remove any dust on and below the ebios-fire furniture regularly as dust particles can burn or char. This can cause dirt in the room and on the furnishings where the fire is installed.

5. MAINTENANCE/TROUBLESHOOTING

- The wick and burner mat must be visually inspected at regular intervals. The material can be easily damaged. As such, the burner mat should not be folded, bent or similar. It is not permitted to change the burner mat or wick.
- The burner mat must be replaced after approx. 380 service hours (corresponds to a fuel throughput of around 190l bioethanol). Please contact your specialist dealer.
- Only use our original spare parts.
- The tank seal must be examined occasionally for cracks or brittleness and should be replaced if necessary.
- Please contact your specialist dealer should you have any questions.

5.1 FURNITURE AND GLASS (DEPENDING ON THE DESIGN) BECOMES SOOTED HEAVILY, RAPIDLY AND UNEVENLY

If this did not occur from the very start, please check the following points:

- Has the correct fuel been used? (see 3.3).
- Cladding/cover correctly positioned? (see 2.5)

5.2 FIRE IS DIFFICULT TO IGNITE

If this did not occur from the very start, please check the following points:

- Is there fuel in the burner? (see 3.5)
- Have you wetted the ignition mats? (see 3.4)
- Has the correct fuel been used? (see 3.3).

5.3 UNPLEASANT ODOUR

- Fuel in a burner which is not in use? (see 3.1)
- Cover plate in position? (see 3.1)
- Fuel was spilt when filling the device? (see 3.5)

5.4 APPEARANCE OF FLAMES CHANGES

- Is the burner mat damaged? (see 5)
- Has the correct fuel been used? (see 3.3).
- Were all safety distances observed? (3.2)
- Is the site of installation sufficiently ventilated? (2.7)
- Is the installation site protected from transverse ventilation? (2.4)

If the appearance of the flames changes noticeably, especially if the flames begin to extend above the protective pane, stop using the device (see 3.6) and notify the specialist dealer.

5.5 SPILT ETHANOL IGNITES

If spilt ethanol is ignited, attempt to put out the flames immediately. Use, for example, foam fire extinguishers with alcohol-resistant foam or suitable fire blankets. We recommend that such extinguishing agents be kept at the ready. Should it not be possible to extinguish the fire rapidly, the fire service must be notified immediately and their instructions followed.

6. GENERAL WARRANTY CONDITIONS

6.1. SCOPE OF APPLICATION

These standard warranty terms apply for the contractual relationship between the manufacturer, Spartherm Feuerungstechnik GmbH, and the dealer/distributor. They are not congruent with the contractual and warranty terms which the dealer/distributor offers his customers in individual cases.

6.2. GENERAL INFORMATION

This product has been manufactured in compliance with current standards of quality control. The materials used have been carefully selected and - like the production process - are subject to on-going quality control. Specialist knowledge is required when assembling and installing the product. The product must, therefore, only be installed and commissioned into service by specialist technical staff, in compliance with current statutory provisions.

6.3. WARRANTY PERIOD

The standard warranty terms only apply within Germany and the European Union. The warranty period and scope of the warranty are ensured within the framework of these conditions outside the statutory warranty which remains unaffected.

Spartherm Feuerungstechnik GmbH grants a 24-month warranty on ebios-fire devices (Solitaire and inserts)

Spartherm Feuerungstechnik GmbH grants a 6-month warranty on wearing parts in the fire area, e.g., wicks, burner mats, seals and glass ceramic.

6.4. REQUIREMENTS FOR THIS WARRANTY TO BE EFFECTIVE

The warranty period shall begin on the date, on which the product is delivered to the dealer / distributor. Invoices or delivery notes may be used as confirmation of the warranty commencement date. The warranty certificate for the product must be presented by the claimant upon making a warranty claim.

Spartherm Feuerungstechnik GmbH is not obliged to satisfy any claim if such documentation is not presented.

6.5. EXCLUSION OF WARRANTY

These warranty provisions do not cover:

- component wear
 - Wick/burner mat due to thermal stress
- the fireplace surfaces:
 - Discolouration of the finish or on the galvanic surfaces of the furniture and/or burner which are a result of thermal stresses or overloading
- the glass panes:
 - soiling, due to soot or other burnt-on combustion materials and visual deterioration due to thermal loading.
- Use of unsuitable or non-designated fuel.
- We recommend bioethanol from Spartherm Feuerungstechnik GmbH with a concentration in excess of 96% for your ebios-fire device.
- incorrect transportation and/or incorrect storage
- inappropriate or careless handling of fragile components, such as glass or ceramics
- incorrect operation and/or use
- incorrect filling of system
- lack of maintenance

- incorrect set-up/installation of device
- failure to comply with installation guidelines or operating instructions
- technical modifications made to the appliance by third parties

6.6. ELIMINATION OF DEFECTS / REPAIR

Independent of any statutory provisions acknowledged as taking precedence over the terms of this warranty, all necessary repair works resulting from material or manufacturing defect shall be carried out free-of-charge and shall not invalidate the remaining provisions of the warranty.

Within the scope of this warranty promise Spartherm Feuerungstechnik GmbH reserves the right to either remedy the fault or replace the device free of charge. The elimination of defects shall take precedence. The terms of this warranty shall not extend to any damage or compensation not covered by statutory provisions.

6.7. EXTENSION OF THE WARRANTY PERIOD

The warranty period shall automatically be extended, where claims made in respect of these warranty provisions result in the repair or replacement of defective equipment.

6.8. SPARE PARTS

Only the manufacturer's own components, or replacement parts recommended and approved by him, shall be used for appliance servicing and repair.

6.9. LIABILITY

Damages and claims for compensation which are not the result of delivery of a defective device from Spartherm Feuerungstechnik GmbH are excluded and are not part of this warranty promise. The above shall not include claims made in respect of statutory legal requirements.

6.10. FINAL COMMENTS

In addition to these warranty conditions and our commitment to them, our dealers and contractual partners are pledged to assist you in both word and deed. It is expressly recommended to have ebios-fire products checked regularly by a stove fitter/specialist dealer.

7. DECLARATION FROM THE BUILDER OF A CUSTOM-MADE PIECE OF FURNITURE/FIREPLACE WITH THE SOLITAIRE SERIES

The furniture/stove builder must confirm to the buyer of the custom-made piece of furniture/fireplace with the Solitaire series that it has been properly constructed (piece of furniture/stove) and installed (burner). The builder confirms that all the points listed in the manual have been considered and properly implemented in his design. Furthermore, the builder must provide the buyer with this manual. The declaration by the builder to the buyer must be made in writing.

IMPORTANT: Keep in a safe place!

Store these instructions with valid and clearly dated proof of purchase and have the documents ready for our technicians in the event of service work.

We reserve the right to make alterations to the technical data contained herein and accept no liability in respect of any errors made

SPARTHERM

DIE WELTMARKE FÜR IHR WOHNZIMMER

The Global brand for your living room | La référence mondiale pour votre salon | Il marchio mondiale per il vostro soggiorno

La marca mundial para su salón | Het merk van wereldformaat voor uw woonkamer | Światowa marka do Państwa salonu

Торговая марка № 1 для Вашего дома

D Ihr Fachhändler | UK Your specialist dealer | F Votre revendeur spécialisé
IT Il vostro rivenditore specializzato | E Sus comercios especializados
NL Uw vakhandelaar | PL Państwa sprzedawca | РУС Ваш дилер



SPARTHERM Feuerungstechnik GmbH · Maschweg 38 · D-49324 Melle
Phone +49 (0) 5422 94 41-0 · Fax +49 (0) 5422 9441-14 · www.spartherm.com