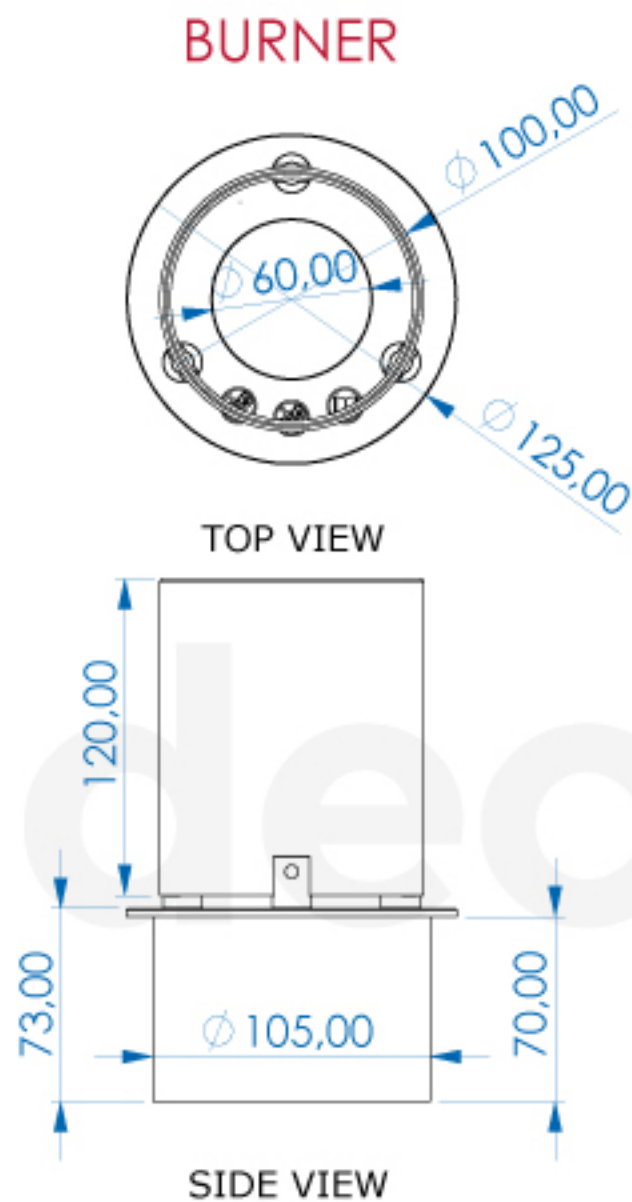
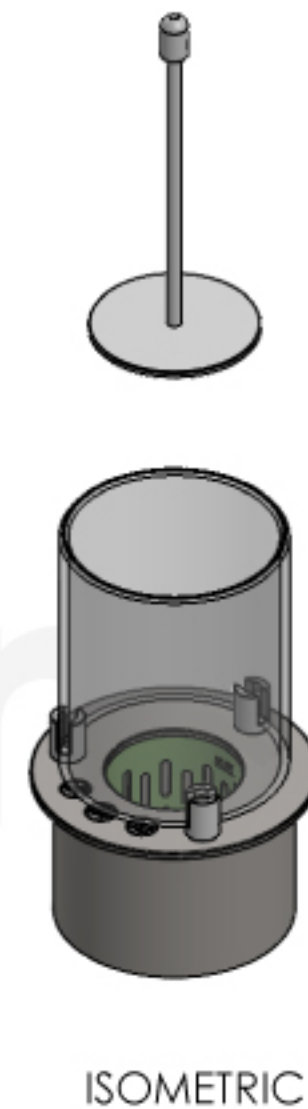
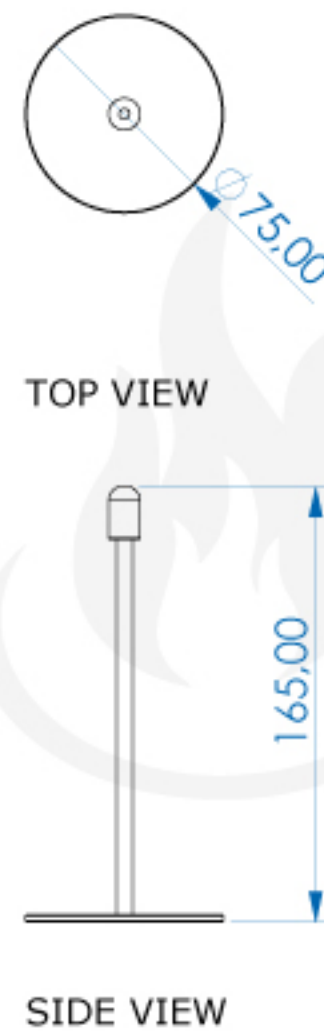


# ROUND BURNER

## 12,5 Cm Burner



### EXTINGUISHING APPARATUS



#### DIMENSIONS:

- GLASS OUTER DIAMETER : 100 mm
- TOP TABLE HOLE DIAMETER : 60 mm
- TOP TABLE DIAMETER: 125 mm
- EXTINGUISHING APPARATUS OUTER DIAMETER : 75 mm
- CHAMBER OUTER DIAMETER: 105 mm
- HOPPER DEPTH : 70 mm

SLOTS SIZE: Q: 11 cm can be opened.