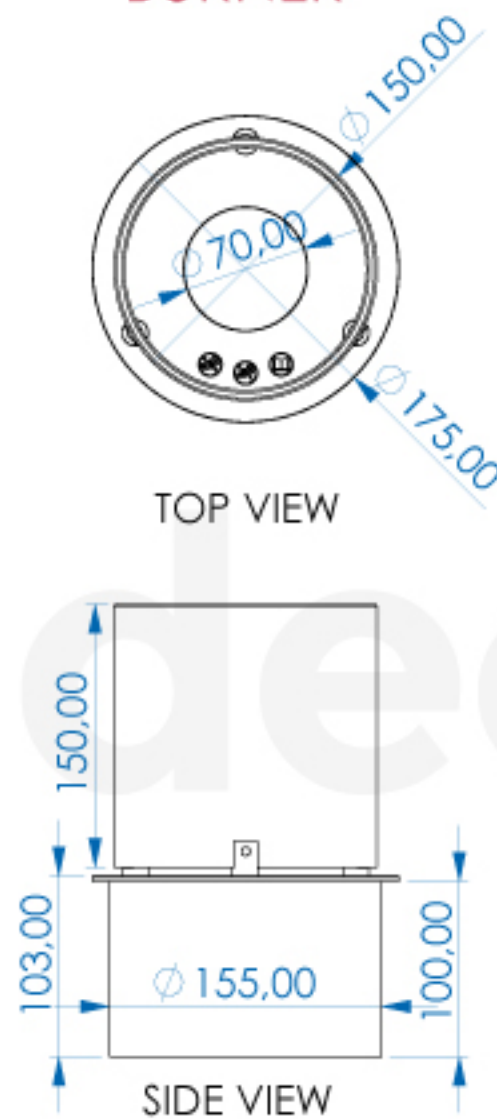


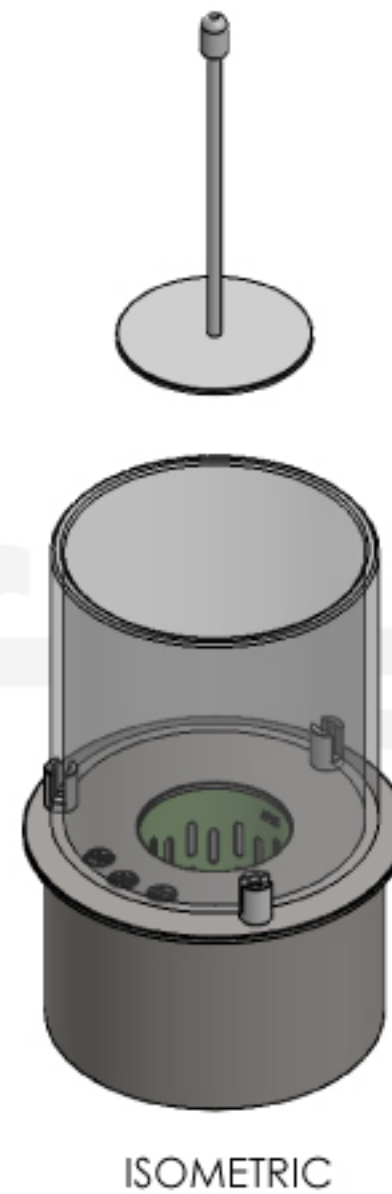
ROUND BURNER

17,5 Cm Burner

BURNER



EXTINGUISHING APPARATUS



DIMENSIONS:

- GLASS OUTER DIAMETER : 150 mm
- TOP TABLE HOLE DIAMETER : 70 mm
- TOP TABLE DIAMETER : 175 mm
- EXTINGUISHING APPARATUS OUTER DIAMETER : 90 mm
- CHAMBER OUTER DIAMETER : 155 mm
- HOPPER DEPTH : 100 mm

SLOTS SIZE: Q: 16 cm can be opened.